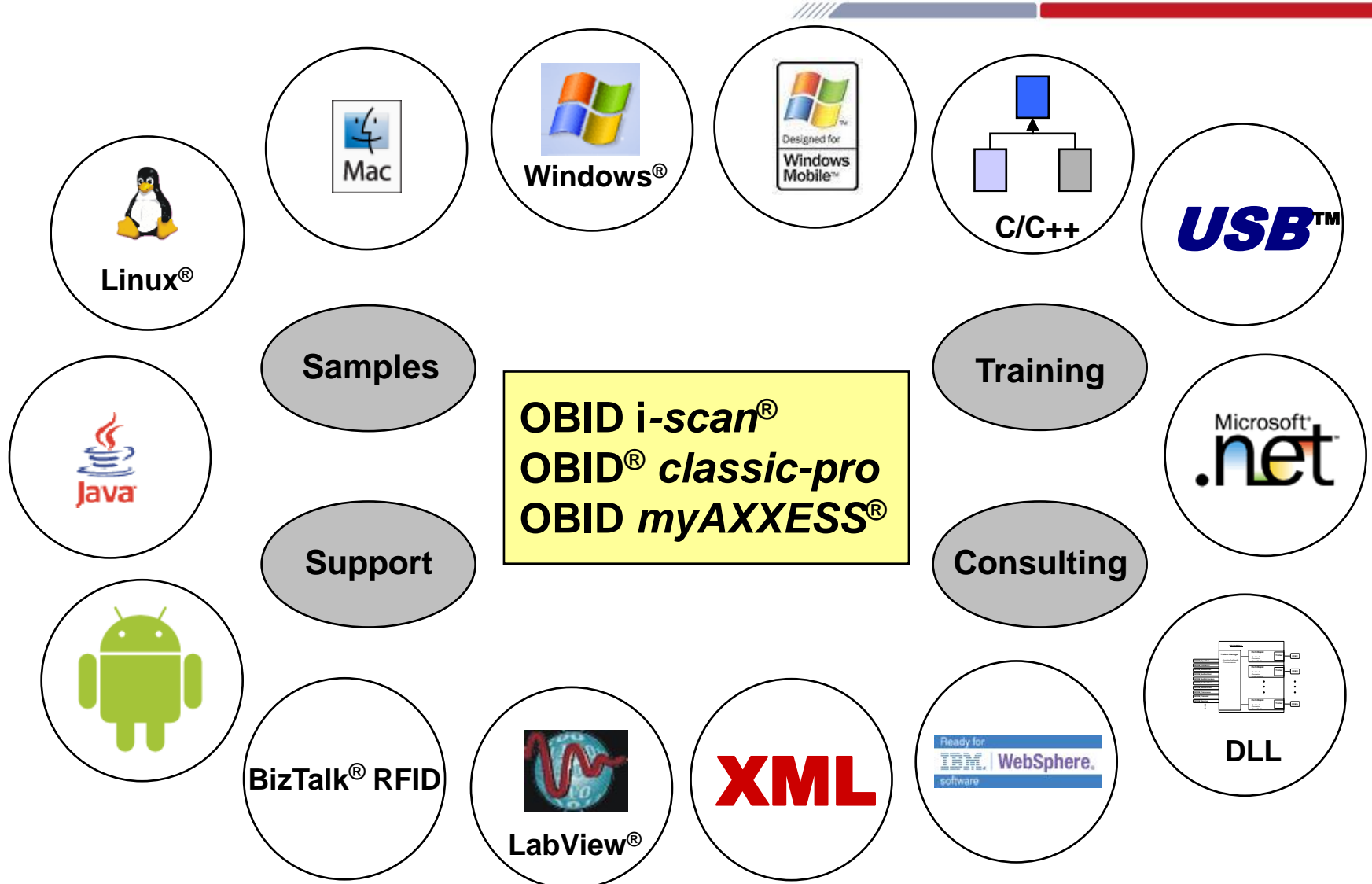


# Connecting Software to OBID<sup>®</sup>



**OBID, OBID i-scan and OBID myAXCESS are registered trademarks of FEIG ELECTRONIC GmbH**

**WebSphere is a registered trademark of International Business Machines Corporation in the United States and/or other countries**

**Microsoft, Windows, Windows Vista, BizTalk and Visual Studio are either registered trademarks or trademarks of Microsoft Corporation in the United States and/or other countries**

**Linux is a registered trademark of Linus Torvalds**

**Apple, Mac, Mac OS, OS X, Cocoa and Xcode are trademarks of Apple Inc., registered in the U.S. and other countries.**

**Java is a trademark of Oracle Corporation**

**LabView is a trademark of National Instruments Corporation in the United States and other countries**

**Android is a trademark of Google Inc.**

**Other product and company names may be the trademarks of their respective owners**

# Software Drivers

## Standard Driver for OBID *i-scan*<sup>®</sup> HF and UHF

- WHQL certified Windows USB Kernel-Driver (shipped with Reader)
- Device Provider for Microsoft BizTalk RFID 2006 R2

## Standard Driver for OBID<sup>®</sup> *classic-pro* and OBID myAXCESS<sup>®</sup>

- WHQL certified Windows PC/SC Kernel-Driver (shipped with Reader)

## Special Driver for OBID *i-scan*<sup>®</sup> HF and UHF

- Device Agent for IBM WebSphere Premises Server

# Software Development Kits (SDK)

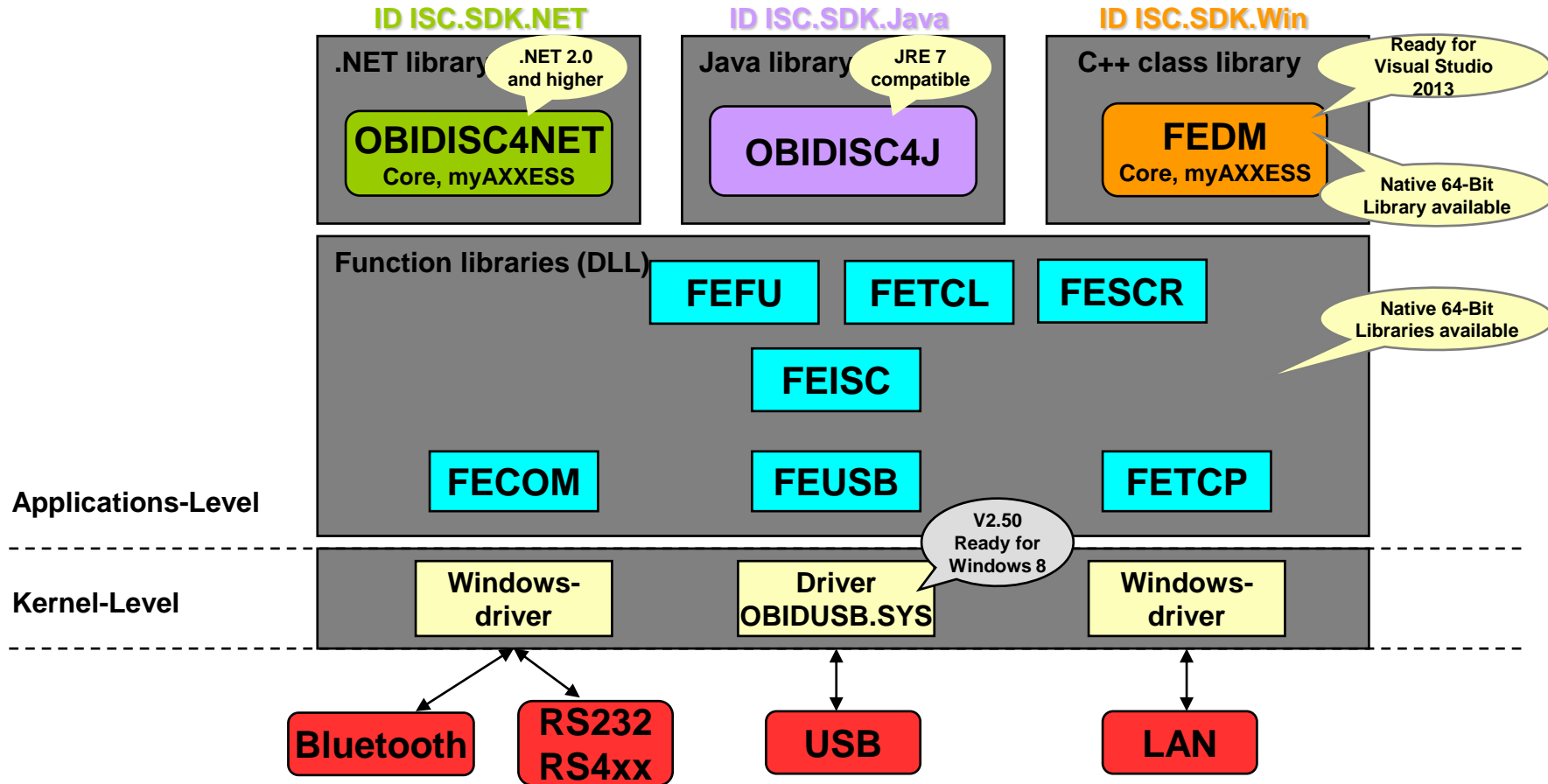
## Standard SDKs for OBID i-scan® HF and UHF and OBID® classic-pro

- ID ISC.SDK.Win (DLLs, C++ Class Library, Samples)
- ID ISC.SDK.Linux (SOs, C++ Class Library, Samples)
- ID ISC.SDK.Android (SOs, C++ Class Library)
- ID ISC.SDK.MacOSX (DYLIBs, C++ Class Library)
- ID ISC.SDK.NET (DLLs, .NET Class Library, Samples)
- ID ISC.SDK.Java (DLLs/SOs, Java Class Library, Samples)
- ID ISC.SDK.WinCE (DLLs , C++ and . NET Class Libraries)
- ID ISC.SDK.DRV.WinCE.USB (USB-Driver)

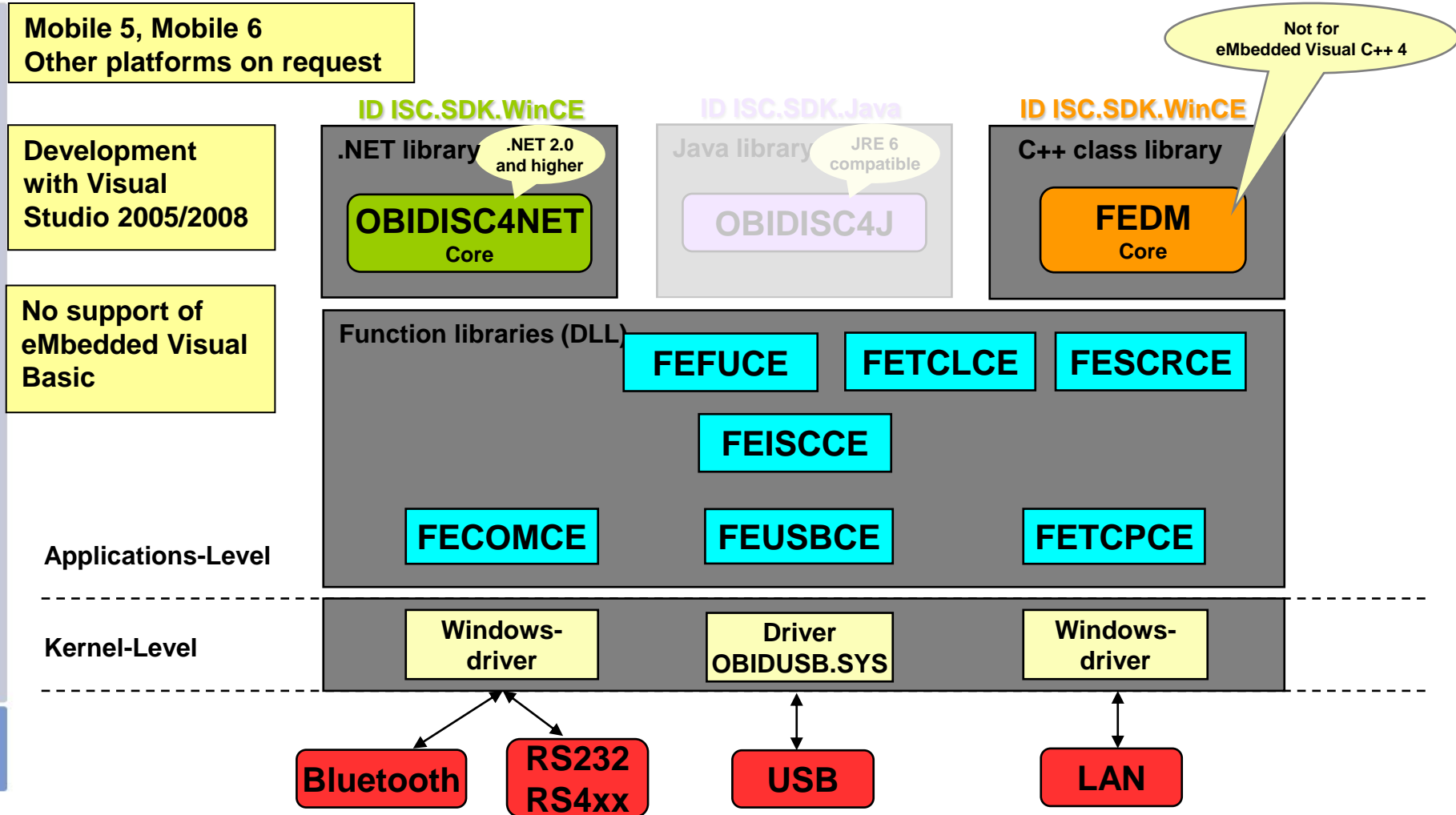
## SDKs for embedded Linux in Long-Range Reader ID ISC.LR2500-A and LRU3x00

- ID ISC.SDK.ACC-LR-FMB08 (SOs, C++ Class Library, Samples)

# Software Support for Windows XP/Vista/7/8 (x86- and x64-Bit)



# Software Support for Windows CE



# Software Support for Linux (x86- and x64-Bit Runtime Libs)

Other platforms  
on request

ID ISC.SDK.Java  
Java library  
JRE 7 compatible  
**OBIDISC4J**

ID ISC.SDK.Linux  
C++ class library  
**FEDM**  
Core, myAXCESS

Function libraries (SO)

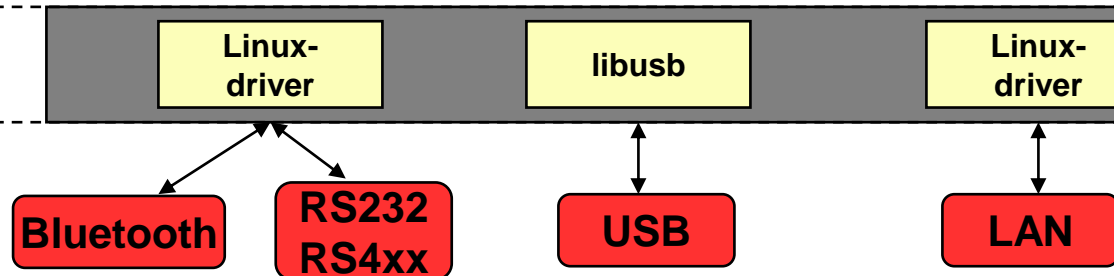
**FEFU**   **FETCL**   **FESCR**

**FEISC**

**FECOM**   **FEUSB**   **FETCP**

Applications-Level

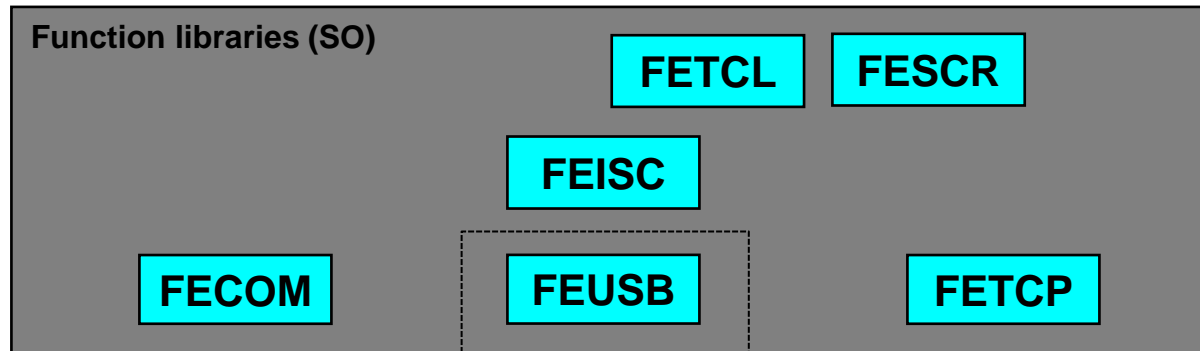
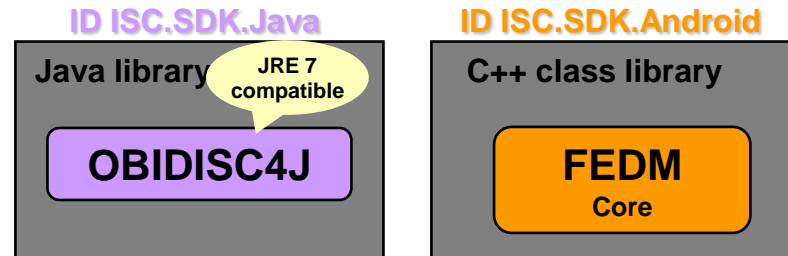
Kernel-Level





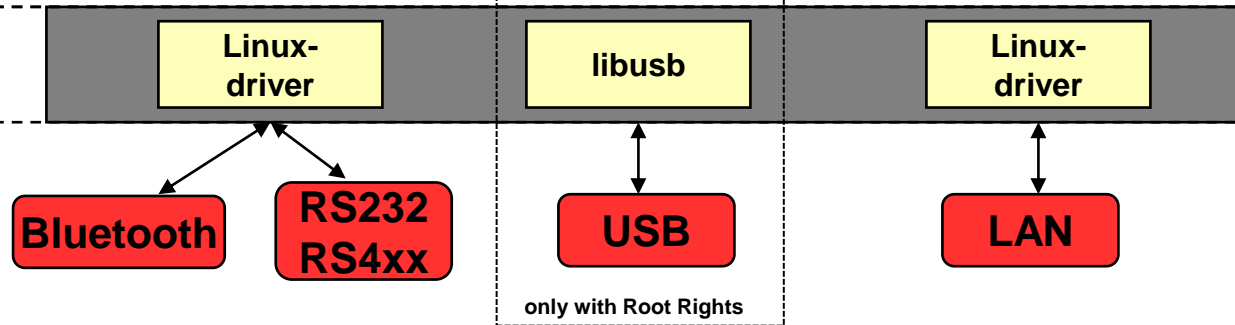
# Software Support for Android (ARMv5 Runtime Libs)

Other platforms on request

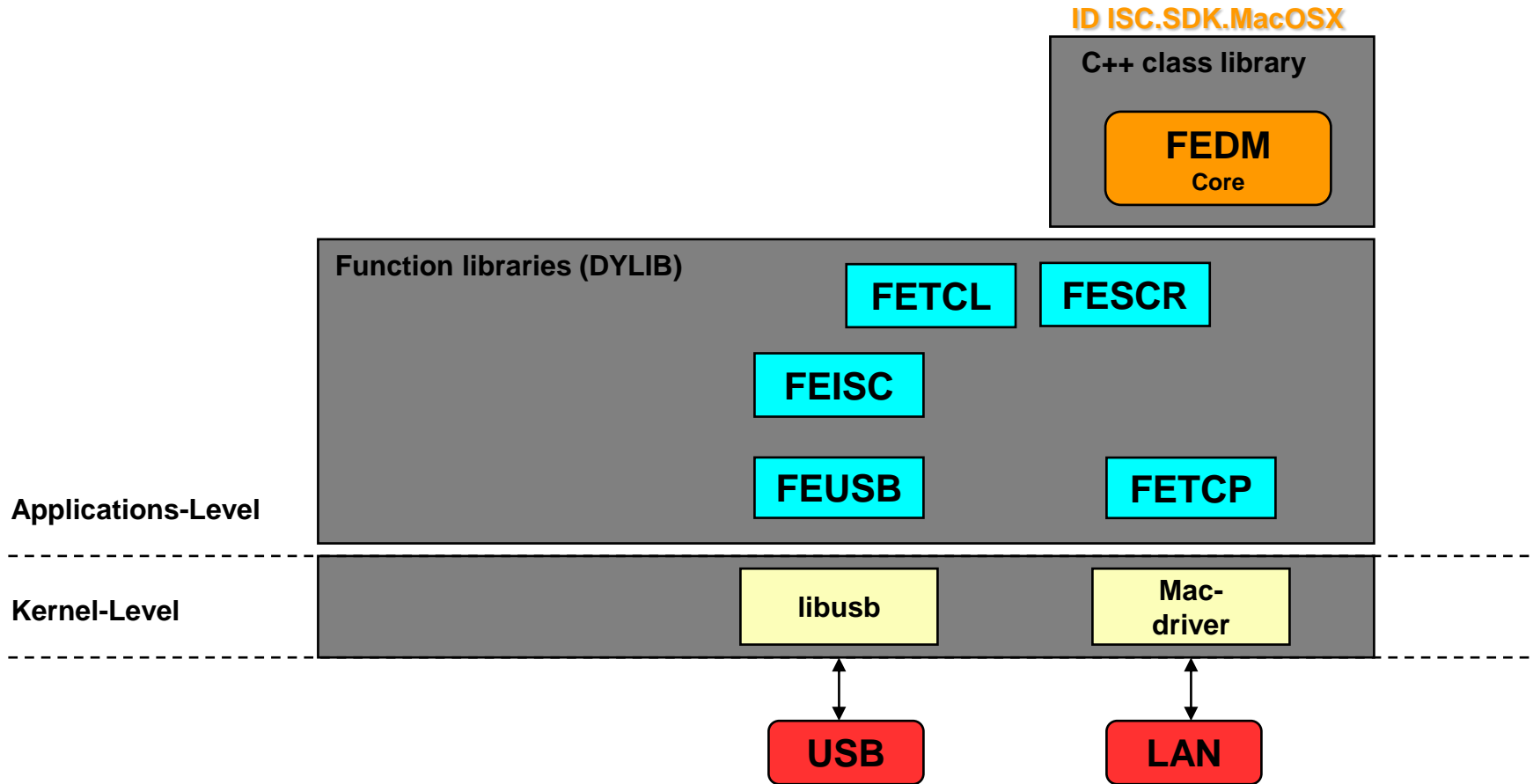


Applications-Level

Kernel-Level

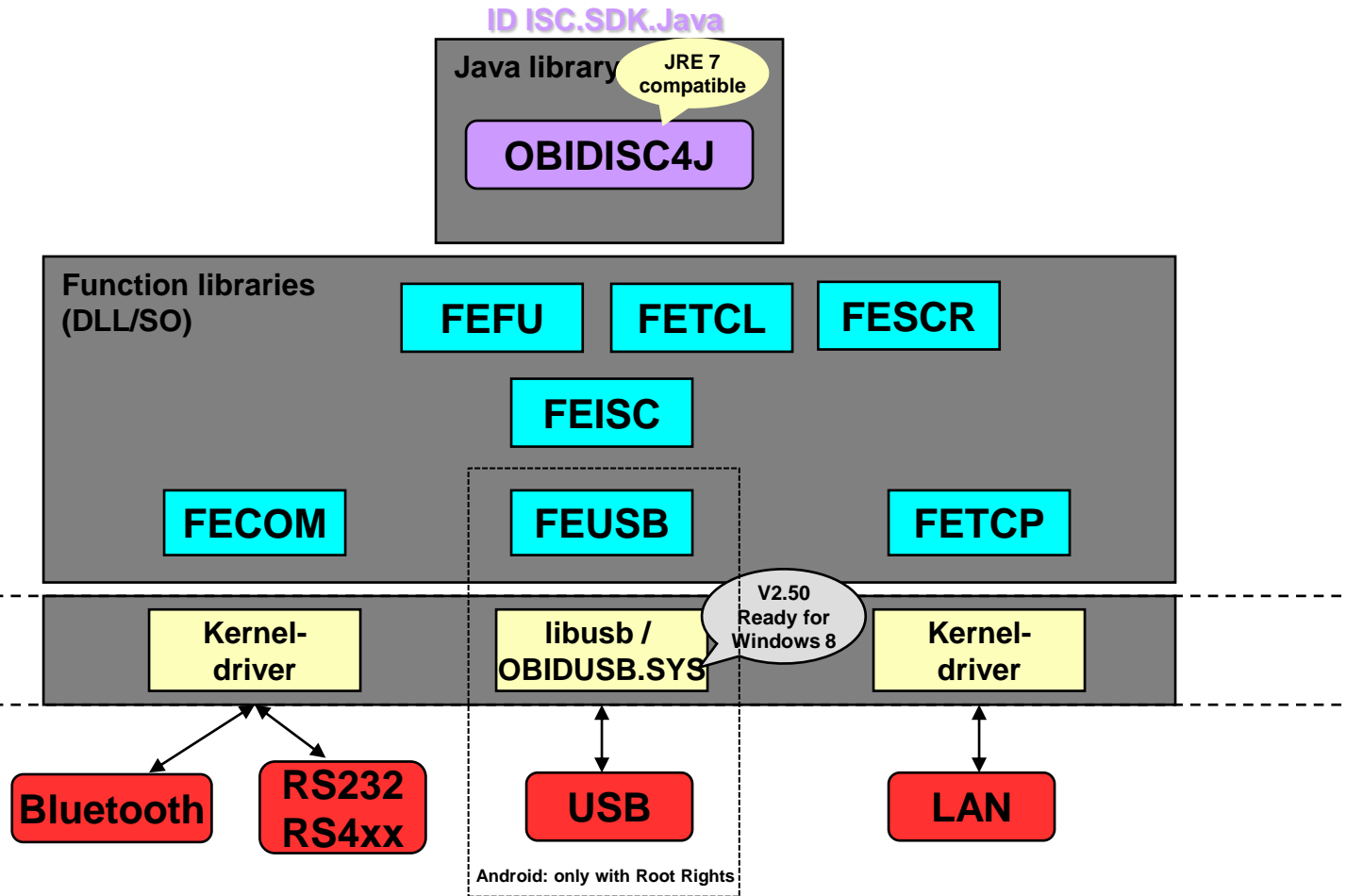


# Software Support for Mac OS X (x86\_64 Runtime Libs)



# Software Support for Java (x86-, x64-Bit and ARMv5 Runtime Libs)

Linux, Android and Windows in one SDK



# Software Support for .NET (32- and 64-Bit Framework)

available for  
Windows  
and  
Windows CE

ID ISC.SDK.NET  
ID ISC.SDK.WinCE

.NET library .NET 2.0  
and higher

**OBIDISC4NET**  
Core, myAXCESS

Function libraries (DLL)

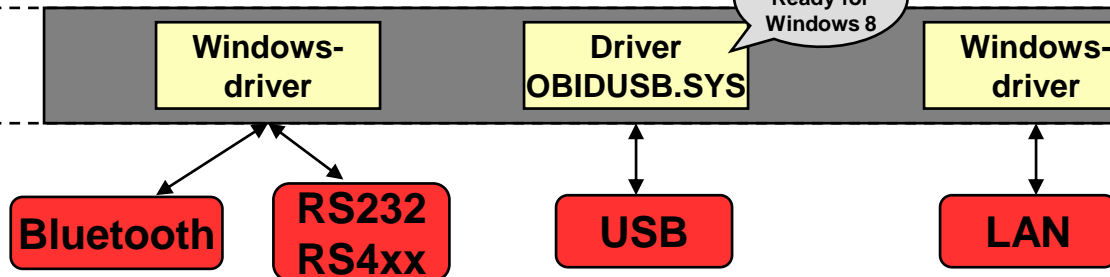
**FEFU**   **FETCL**   **FESCR**

**FEISC**

**FECOM**   **FEUSB**   **FETCP**

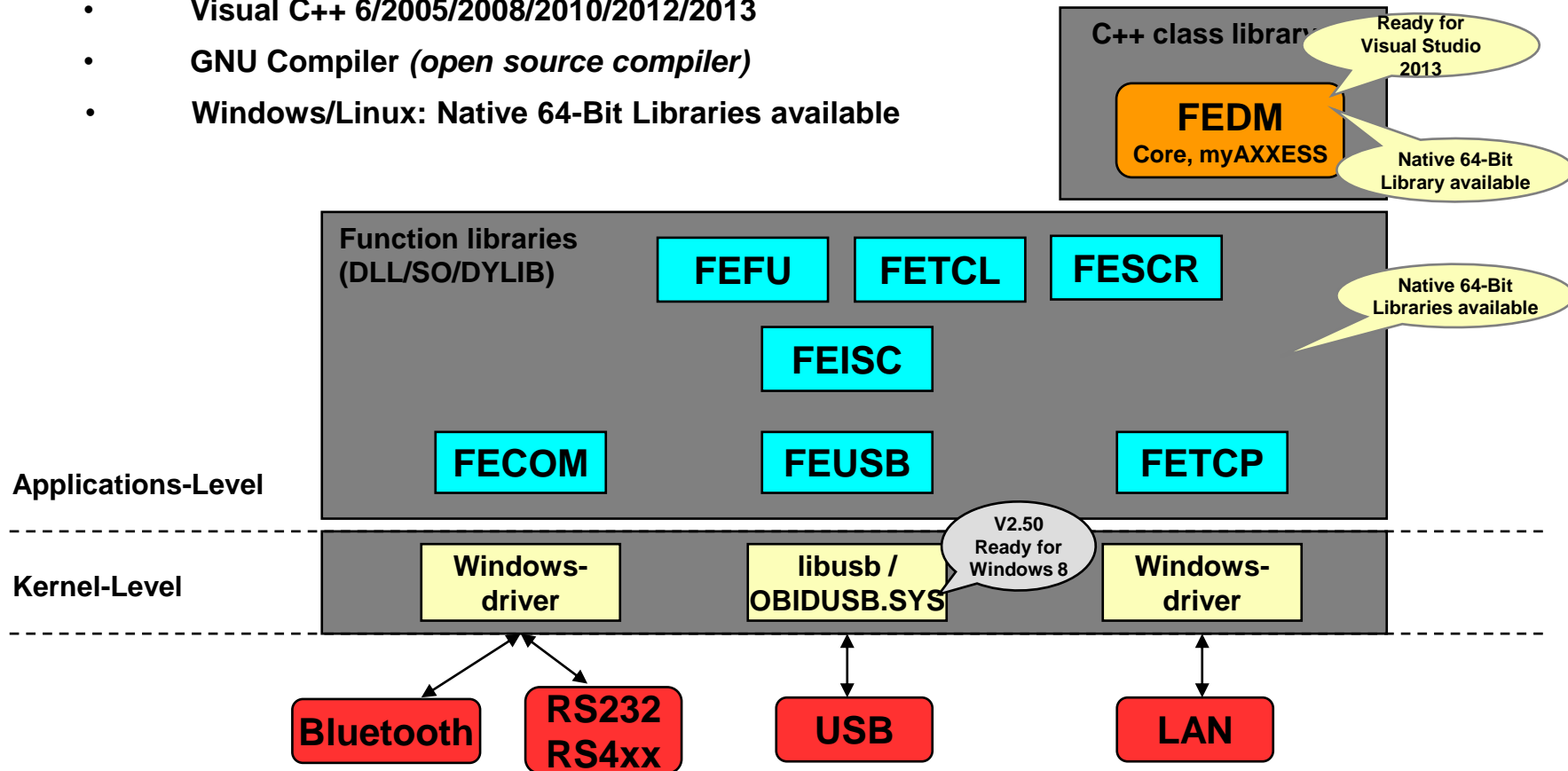
Applications-Level

Kernel-Level



# Software Support for C/C++

- Visual C++ 6/2005/2008/2010/2012/2013
- GNU Compiler (*open source compiler*)
- Windows/Linux: Native 64-Bit Libraries available



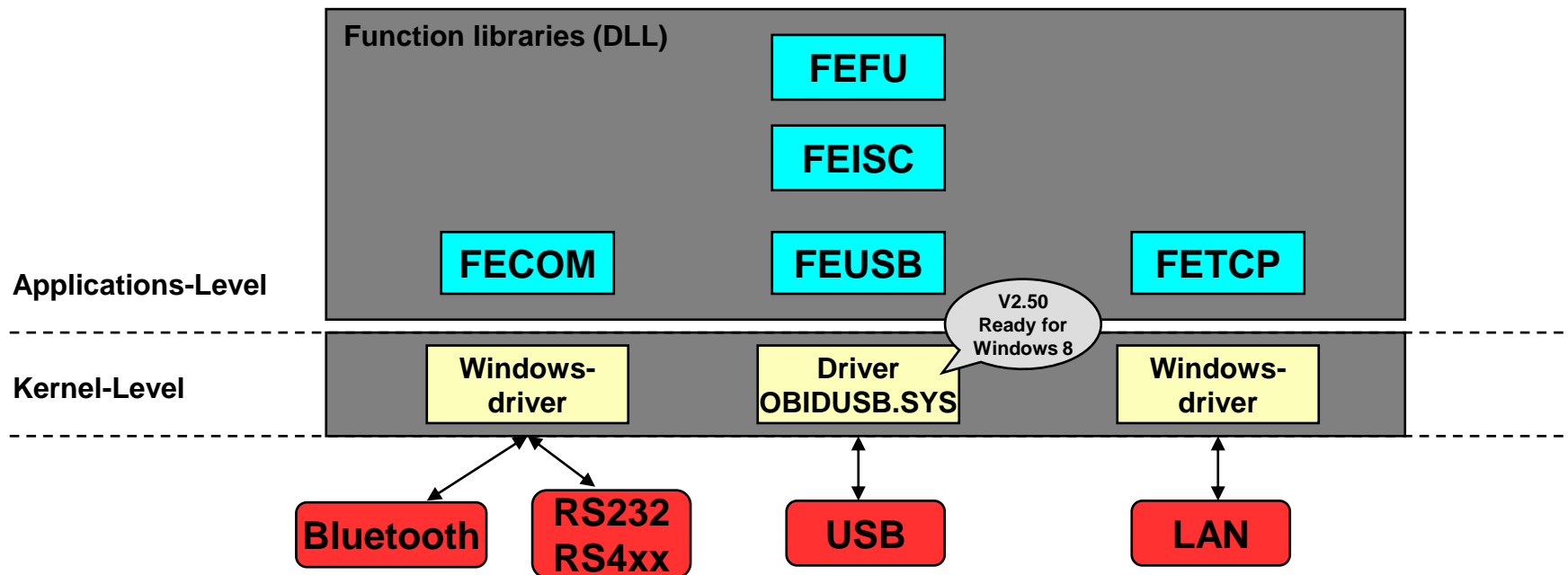
# Software Support for LabView and LabWindows CVI

*National Instruments*

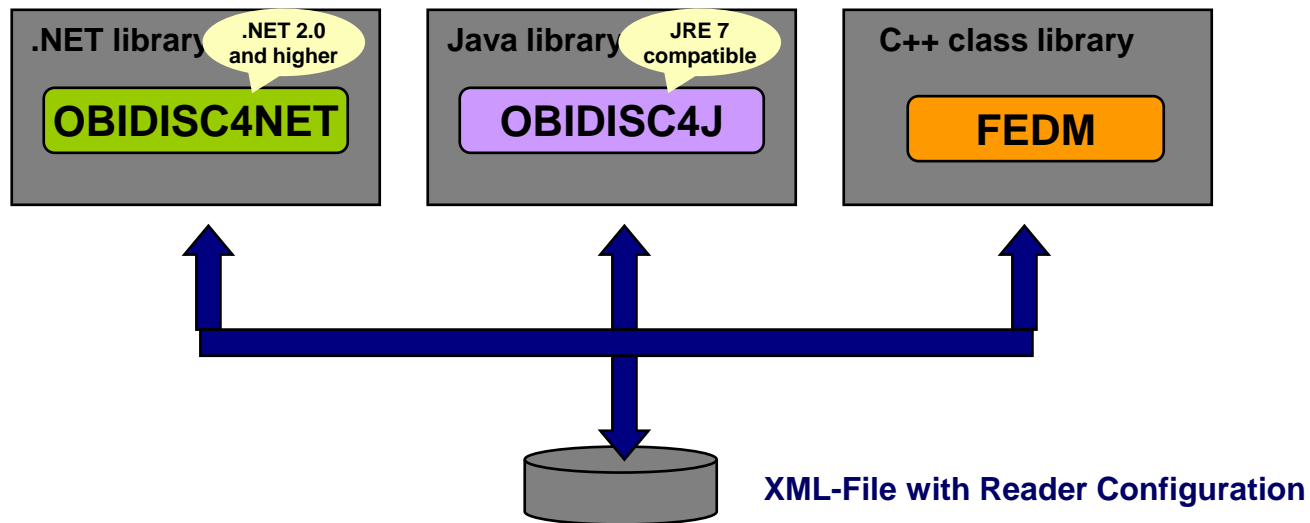
How to add a shared library:

<http://digital.ni.com/public.nsf/allkb/DCB90714981A1F148625731E00797C33>  
<http://www.youtube.com/watch?v=CdG-UMpNhg>

ID ISC.SDK.Win



# Integration of XML Technology



**XML is independent of:**

- Operating System
- Development Tool
- Programming Language

**The Structure of the XML Reader Configuration file is public**

**Advantage of the XML Reader Configuration file:**

- Exchange of Reader Configuration between Reader and Application (e.g. ISOStart)
- Display of Reader Configuration with Browser

# Source Code Samples of the SDKs

## Standard Samples demonstrate Reader's Operating Modes:

- **ISOHostSample** (SDK.Win, SDK.Linux, SDK.NET, SDK.Java)
- **BRMSample** (SDK.Win, SDK.Linux, SDK.NET, SDK.Java)
- **ScanSample** (SDK.Win, SDK.NET, SDK.Java)
- **NotificationSample** (SDK.Win, SDK.Linux, SDK.NET, SDK.Java)
- **myAXCESS\_Sample** (SDK.Win, SDK.Linux)

## Special Samples:

- **FUSample demonstrates HF/UHF Function Units** (SDK.NET, SDK.Java)
- **USBSample demonstrates use of FEUSB-DLL** (SDK.Win, SDK.Linux, SDK.NET, SDK.Java)
- **PeopleCounterSample** (SDK.Win)

## Complex Applications:

- **MUXDemo for HF/UHF Multiplexer** (SDK.Win)
- **DATuningTool for HF Dynamic Antenna Tuner** (SDK.Win)
- **myAXCESS\_Manager** (SDK.NET)



# Training, Consulting, Support

Software training as part of standard training

Manuals for every library

Support Address: [obid-support@feig.de](mailto:obid-support@feig.de)

Training application ISOStart / CPRStart

